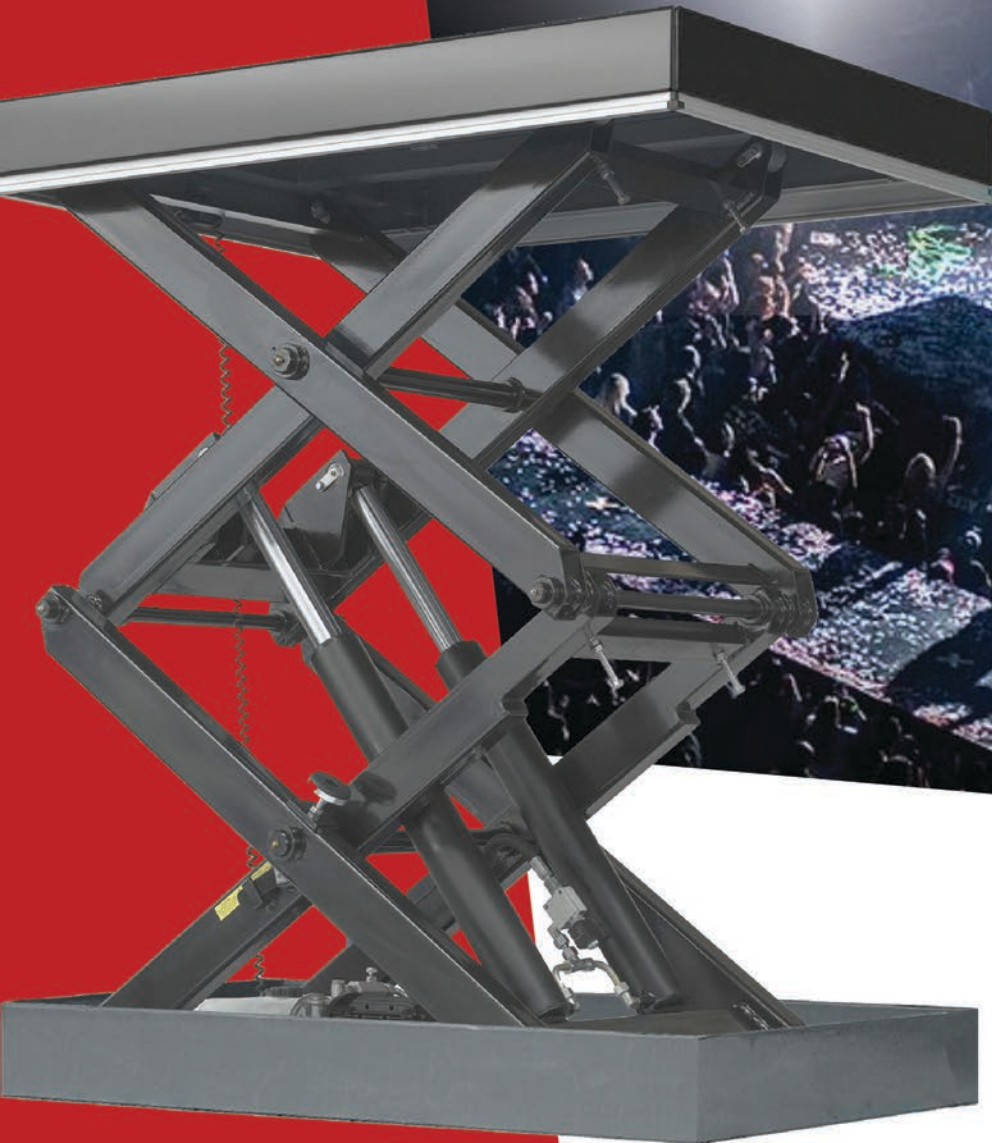


A E S
AUTOMATION
SOLUTIONS



**STAGE PLATFORM
ELEVATOR**

AES AUTOMATION SOLUTIONS

AES Automation Solutions is a leading provider of cutting-edge automated mechanical elevators designed to elevate the experience of any show.

With a passion for innovation and precision engineering, we specialize in creating custom lift solutions that add a touch of spectacle and sophistication

VERTICAL STAGE LIFT

The AES stage platform elevator is a versatile and robust solution designed specifically for the event industry. With a weight capacity of up to 4000kgs, this scissor lift is ideal for revealing artists and performers on stage, as well as handling heavy lifts such as cars with ease. Its hydraulic system ensures smooth and precise operation, making it a reliable choice for various event applications.



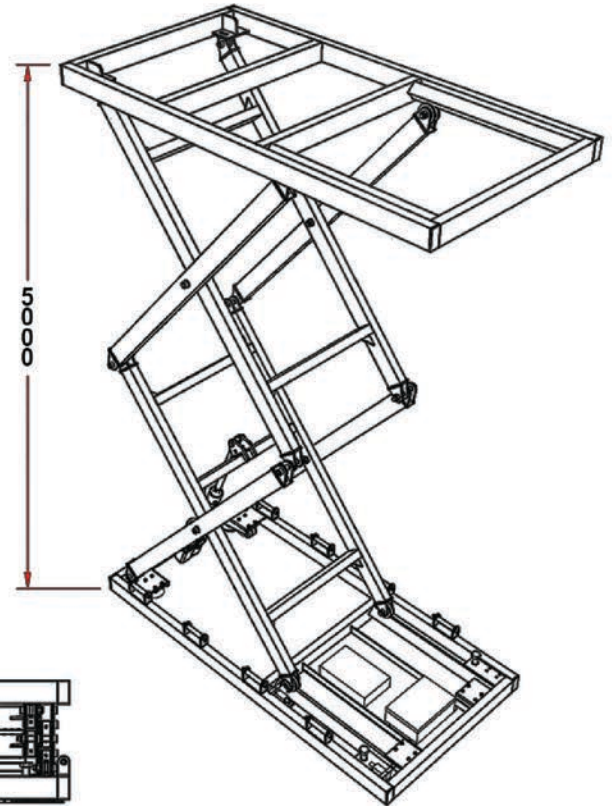
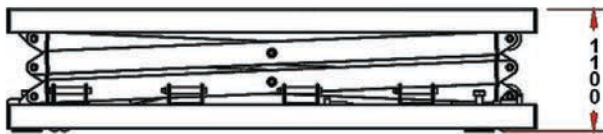
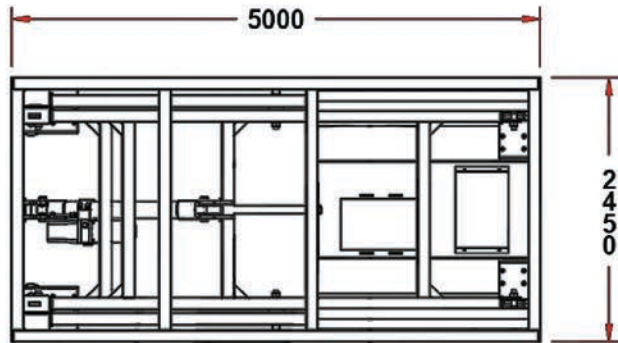
The Hydraulic Platform Scissor Lift is a must-have tool for event organizers and production crews looking to enhance the visual impact of their events.

Whether you need to elevate performers onto the stage in dramatic fashion or showcase a prized car at a product launch, this scissor lift delivers the performance and reliability you need.



STAGE PLATFORM ELEVATOR

Technical specifications



- Scissor lift platform load capacity max 4000 kg.
- Scissor lift platform length 5000 mm
- Scissor lift platform width 2450 mm
- Lift height range max 5000 mm.
- Comprehensive accessory program with tailor-made customer solutions.
- Complies with European safety standard EN 1570-1 - CE certified.
- 24 V DC control unit and operating device with deadman's switch.
- IP54 approved electrical system.
- Safety spacing between all moving parts of the lift table.
- Overload protection.
- Adjustable trap prevention safety trip bars on all four sides of the platform.





www.aes.ae
info@aes.ae
+(971) 4 321 5599